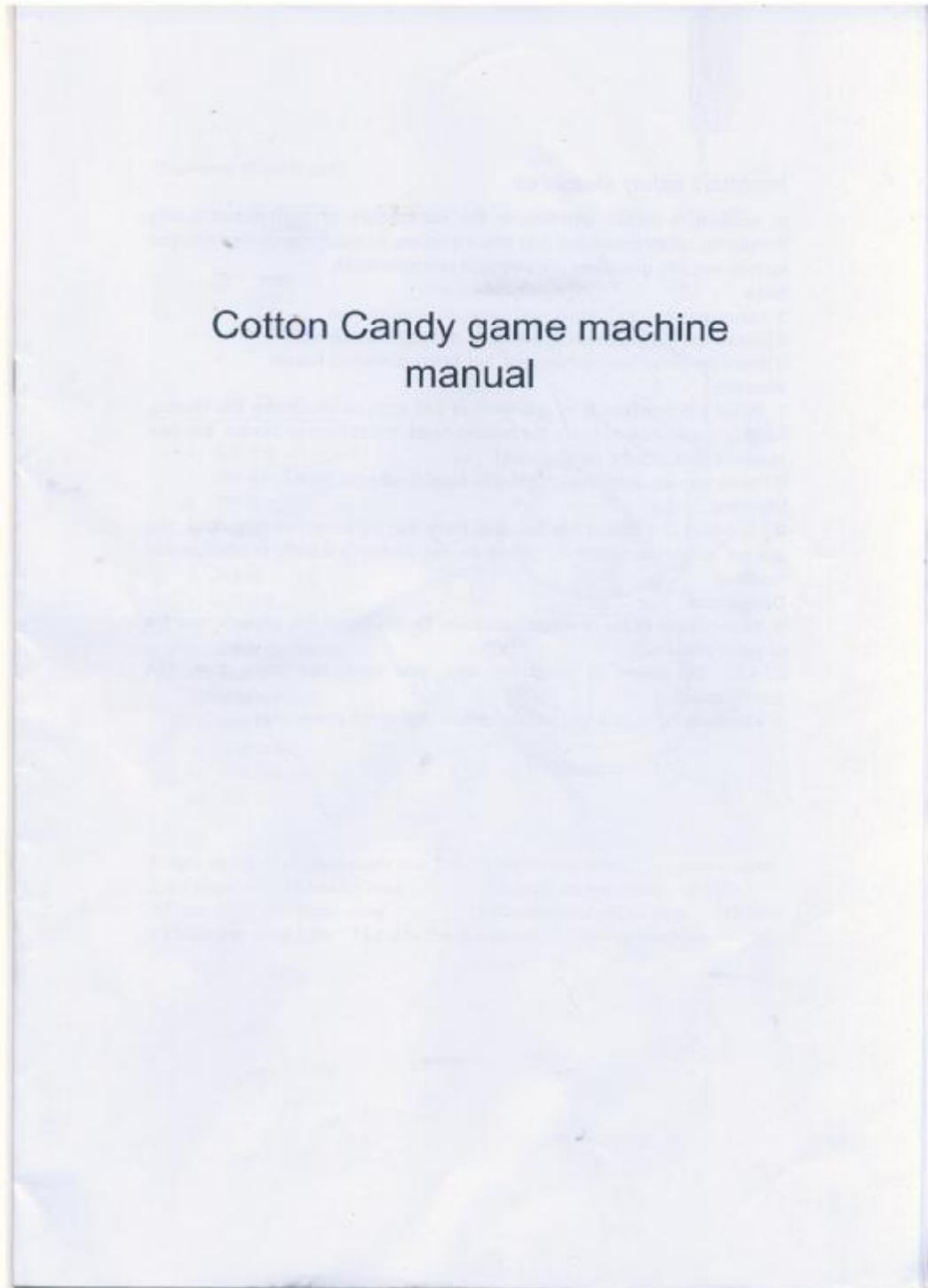




COTTON CANDY DIY VEDNING GAME MACHINE



### Important safety measures

In addition to careful attention to the manufacture of the product quality standards, safety measures is to use a machine for each one of the important factors, security measures are also your responsibilities.

**Note:**

1. before installation, please read the instruction manual
2. please ask the professional person to do maintenance work
3. When the player can not operate, it is better to explain beside

**Warning.**

1. When the machine is in operation or just stop, do not touch the Heating head or paper stick to touch the heating head. not to burn or bumps, the face must not stick into the rotating head
2. Those who are watching should also keep a safe distance

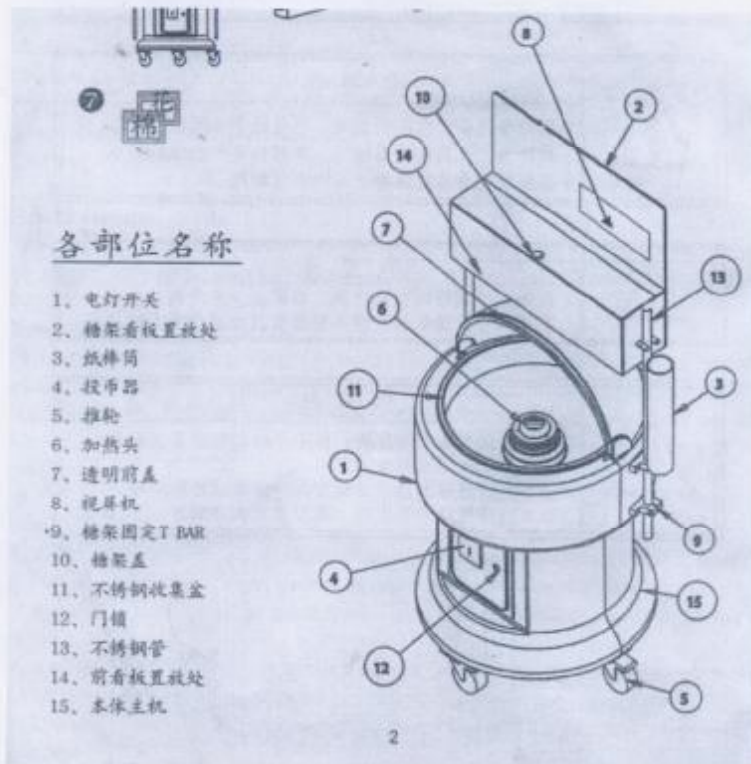
**Warning.**

If you rebuilt or modified this machine, there may be some risk or serious, and are not subject to warranty, please do not arbitrarily modify or change this machine

**Dangerous.**

1. To avoid risk of fire or electric accident, Do not install this product near fire or water place
2. Use the power or extension wire, you must use more than 10A specifications
3. Maintenance or cleaning before, please unplug the power plug

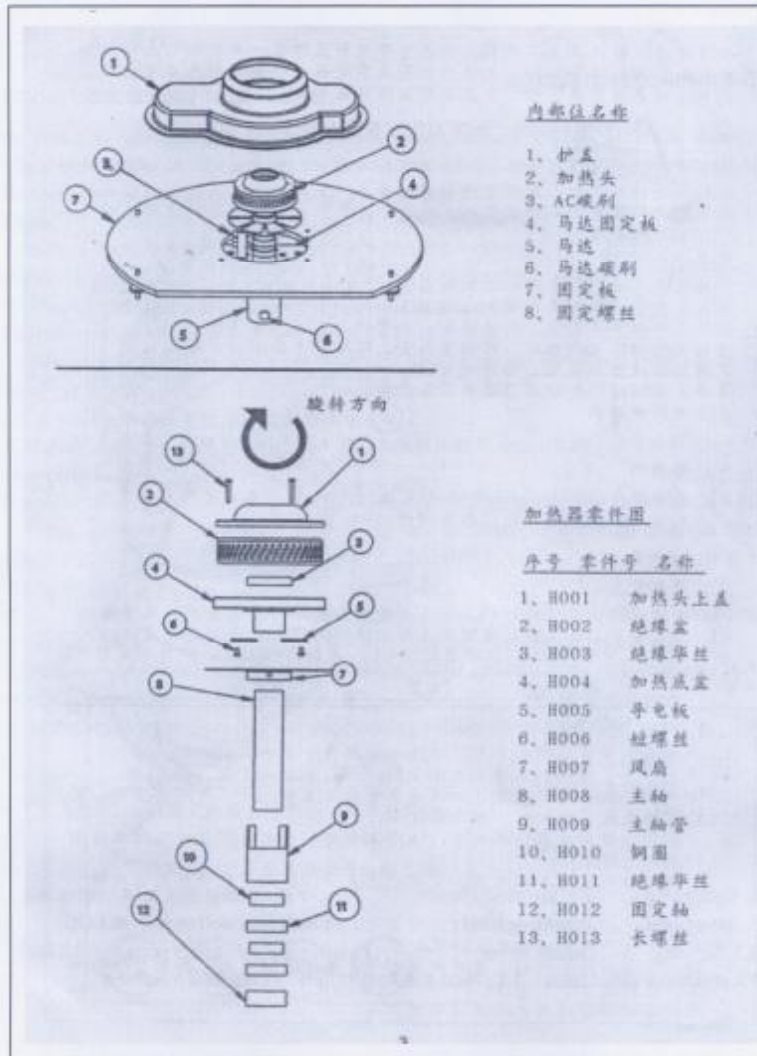
The name of each part:



**各部位名称**

- 1. 电灯开关
- 2. 糖架看板置放处
- 3. 纸棒筒
- 4. 投币器
- 5. 推轮
- 6. 加热头
- 7. 透明前盖
- 8. 视屏机
- 9. 糖架固定T BAR
- 10. 糖架盖
- 11. 不锈钢收集盆
- 12. 门锁
- 13. 不锈钢管
- 14. 前看板置放处
- 15. 本体主机

- 1. light switch    2.place candy board    3.paper stick tube    4.coin select
- 5.the wheel    6.heating head    7.transparent fore cover    8.LCD
- 9.T bar    10.the cover    11.stainless steel collect pans    12.lock
- 13.stainless steel tube    14.place the fore board    15.this machine



Please carefully read the operating manual before installing, and keep for future reference.

**Introduction**

cotton candy is a traditional food. both children and adults like to eat. our company carefully developed cotton candy vending machine, with

multi-functions and features, can make delicious cotton candy.

#### **Features**

coin-op vending mode or personal vending mode  
Doublet spin electronic music accompaniment, increase the fun  
Movable stainless steel collection span for easy cleaning, durable  
Movable transparent acrylic sugar frame, adjustable height, easy replace billboards  
Stainless steel sudden heating system rotated head, durable  
Secure Electronic circuit protection design,  
Low cost. High profits

#### **Power Requirements**

This product must be used 220V/10A/50HZ power, if need power extension wire, can not be shared with other electrical equipment, and the wire specification must be bear 220V/10A,

#### **Raw material requirements**

This product is super sugar, you can buy in the store, the raw material for the different tastes, please use of the company prepared a variety of special tastes of raw materials, or buy from the local dealer, sugar packets .0.4 RMB per package, paper sticks per box 120RMB, there are 1000 pcs, send 100 bags sugar and 100 paper sticks with the machine,

#### **Note:**

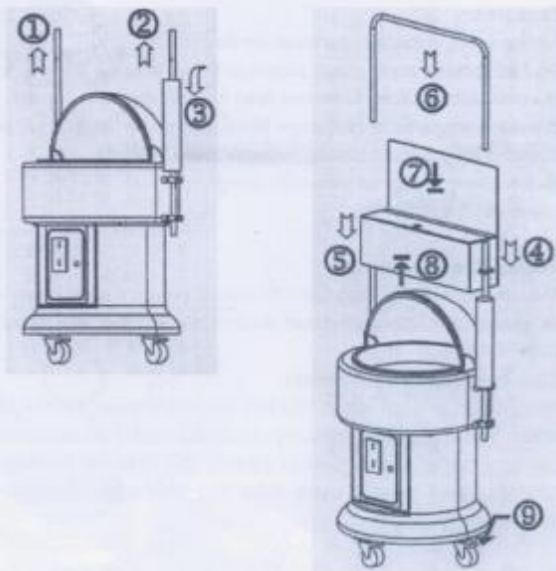
1. If not installed, please find an experienced person to assist or contact the local dealer
2. Please keep the keys, if loss can not be copied, can be obtained from our Company
3. If the voice is too large, stop use immediately, please find the professional person to repair it
4. Do not place anything on the power wire, please the machine installed in the place ,power wire will not be stepped on or tripped
5. The machine outlets and extension wire, do not overload it may cause fire or electric accident
5. Transporting the machine, heating head show be protected by the flexible pad ,to prevent damage to the collision or skew, and also remove the money box, loose to avoid collision
6. Forbidden to fall, placed upside down
7. Lamp socket can not plug other electrical products

#### **Installation before use**

##### **1. Sugar frame installation**

Please remove the package before installation

Please refer to the picture to install



1. Loosen the four screws on both sides of the product ,rise the both side copper of the appropriate height and contour (Figure 1.2)
2. Open the carton of sugar holder, place the paper stick tube on the machine left of the brass (as shown in Figure.3.) And tighten the screw
3. Remove the sugar frame, scored on both sides screws, and then placed into the copper right up side and put into the wire and lock screw (Figure 5), then adjust the sugar frame to the appropriate height. Tighten the screws
4. Connect the light wire and install the bulb and plug in the power switch
5. the cotton candy holder (6) installation is depending on the circumstances, before installation take off two sides tube set on the steel tube. insert the steel tube as showed
6. Fix billboard posters, brochures on the specified location. As shown in Figure 7.6 past the cotton candy" words on the right place
7. The sugar into the candy box
8. Fix the four wheels under the heat vehicle (Figure 9), to prevent sliding
9. Put the money box into a fixed position
10. install finish

**Note:**

1. Installation location floor should be smooth \ to avoid crooked or close to the wall
2. To avoid risk of fire or electric accident, do not install this product near fire. Water or dump , not have ants or bees place

- Coin: diameter 23MM-28MM  
Thickness 1.5MM-2.6MM
- Put a COIN in the left side of the coin folder
- Coin selector has two settings buttons, you can set the solution in the slow and fast time and NC, NO, setting wrong the coin selector will eating the coin, to adjust the currency to be considered normal not to eat coin

Note

If can not inset the coin, first check whether the plug wire is loose and no have power

Coin operated mode

Operating Instructions

- Take one bag sugar and pour into the heating head
- Take our one paper sticker
- Please insert 1 coins or token to operate
- Using the paper sticker roll the floss
- Close the transparent fore cover



Pay attention to security matters:

Children accompanied by an adult to use  
Do not touch the heating hand or use paper sticker to touch  
Do not pour anything else, only sugar

When using this operating mode, please arrange an experienced guide staff to guid, in order to avoid the accident



Human to operation:

Operating Instructions

- Please turn the machine's back to face the customers
- Fix the billboard
- Pour the sugar into the heating head
- Open the door of money box and lead our one manual switch button
- Rolled sugar and sealed plastic bag after the done
- Put the finished product to the shelves

Note:

- If you do large cotton candy, you can adjust the time longer, put a little more sugar.
- Because of humidity Cotton candy dissolved in a short time, so to maintain long-lasting, use sealed plastic bags

Note:

When using this mode, it is necessary first pour in sugar and then start, make other one, first pour sugar and then start again, so repeat the operation, please Do not start then pour sugar, or may cause a lot of smoke, and do not pour more sugar, every time a package is limited, otherwise it will crash

You also can change your operation model, for example: give money to the cashier, give the customer sugar packets and paper sticker, and then give the token to the customer and to operate.

Security Warning

Do not touch the heating heated by hand, in order to avoid burns or bumps

Please wear a variable glass for a long time operation operation, in order to avoid possible injury

Spread the anti-ant medicine on the four wheels to prevent the anti

Coin quantity adjustment SW;

PIN	1	2	coin quantity
	OFF	OFF	1 coin 1 time
	ON	OFF	2 coins 1 time
	OFF	ON	3 coins 1 time
	ON	ON	4 coins 1time

1. Game Time SW:

PIN	3	4	TIME
	OFF	OFF	30 seconds
	ON	OFF	45seconds
	OFF	ON	60seconds
	ON	ON	75seconds

Power consumption  
 one cotton candy consumption 770W  
 Standby consumption 25W (including lighting lamp)  
 1 kWh can make 70 cotton candy  
 Size: 54\*65\*155CM  
 Weight: 33KG

**Repair and maintenance** (before repairing and maintenance machine, please shut down the power)

**Maintenance**

Users can refer to the manual, try to eliminate problems first, if can not by a qualified service person to handle

**Substitution the parts**

When the unit needs replacement parts, you can purchase parts of local agents, or directly contact our company to purchase spare parts, to avoid arbitrary place to find similar parts, and the security features of the machine parts and hazardous

**Problem and Repair**

problem	checking	settled
Can not start	If connect the power	Connect the power
	check the control board is ok	Change fuse or set to repair
the motor runs slow and can not make floss	check if the motor was blocked	change or clean motor
	check of the motor brusher is wear	Change the motor brusher
Rotating heating head rotation or not smooth too much noise	check if the nails is loose	Fix the nails
	Check if the heating head is beveled	reinstall the heating head or change spring
have much smoke around the heating head	Check if the temperature is adjusted too high	adjust to the appropriate temperature
	if have anything in the heating head	Clean and take out the things
	if first start and then pour into the sugar	First pour into sugar then start
No have floss	check if the heating head was blocked	take off the heating head and clean it
	check if have temperature of the heating tube	adjust the temperature or change the heating head accessory
No have music	check if the speaker wire is loose	Fix again
	the volume is too small	Change it

	if the control board is output music	Repair the control board
No stop	check if link wrong wire or loose or button problem	link again or change the button
	Check the control board problem	Repair the control board
Temperature can not be adjust to more than 3A or instructions meter jitter	Check if there is much carbon on the copper rotating shaft	Rubbed off carbon with sandpaper
	Check if the brusher problem	Change the brusher
the floss with Water or have water on the machine platform	Check if the sugar is too wet	change dry sugar
	The air is too wet	Move to the dry place

**Maintenance (before repairing and maintenance machine, please shut down the power)**

**Regular cleaning**

Regular maintenance is necessary. To keep manufacture the cotton candy to meet the health requirements. If you do not know how to clean please read the instructions

**Clean Cotton Candy collection pan**

Cotton candy pan is collect the floss after use, leaving a small plot of cotton candy and cotton dust, the more I use the more cumulative, so the using times is depend on the clean time

**Cleaning methods**

Scraped off crude sugar crumbs with a soft spatula, and then wipe clean with a damp cloth to clean sugar in the pan, or simply remove the collection pan, washing with water and then dry it.

**Clean the heating head**

using several time, there is some can not melt accumulates impurities and sugar dust on the heating head, should be cleaned regularly to maintain

**Cleaning methods**

Remove the heating head, and then soaked in warm water until melted candy, then dry with a hair dryer. the plates do not touch the water when soaking

**Cleaning the machine**

If the local accumulation of dust and sprinkles, you can clean the inside with a vacuum cleaner or with clean damp cloth to clean and keep the machine clean and sanitary requirements

Note:

Do not use cleaners or volatile organic solvents (such as toluene, gasoline, etc.) to clean this machine  
As long time no use this machine. Please clean heating head and the inside. Then Covered with a plastic bag, place dry place

